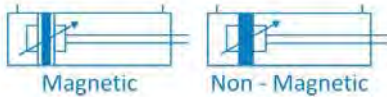




### Features

- ▶▶ Hard Anodized Aluminum profile (square) type cylinder barrel.
- ▶▶ Bore Size 32 to 125 mm.
- ▶▶ Adjustable cushioning at both ends with elastomer pads.
- ▶▶ Magnetic and Non-Magnetic cylinder.
- ▶▶ Wide range of mountings as per VDMA 24562 standards.
- ▶▶ Magnetic sensor common for all sizes.
- ▶▶ Modern design and consistent engineering.
- ▶▶ Double slots on 3 sides of cylinder position sensors.
- ▶▶ An extensive range of mounting accessories make it possible to install the solution virtually anywhere.
- ▶▶ Allen screws with internal thread for mounting components.
- ▶▶ Additional cushioning rings in the end-positions for absorbing residual energy from high speeds and fast machine cycles.



### Technical Specifications

Bore Size (mm)	32	40	50	63	80	100	125
Cushion Stroke (mm)	21	23	23	23	28	28	40
Standard Stroke* (mm)	25, 50, 80, 100, 125, 160, 200, 250, 300, 350, 400, 450, 500 (Upto 2000)						
Media	Compressed Air - Filtered - Lubricated						
Working Pressure	0.5 ~ 10 Bar						
Temperature	-20 °C ~ 80 °C max. ( For Viton O to 180 °C )						
Material of Construction	Aluminum, Brass, Nitrile, Steel, Acetal, Polyurethane, Viton						
Mounting & Accessories	Male Clevis Female Clevis Clevis Foot Bracket Rod End Fork	Foot Mounting Front Trunnion Wall Bracket Mounting Rod End Aligner	Front Flange Rear Trunnion Trunnion Bracket Rod End Spherical Eye	Rear Flange Adjustable Center Trunnion Mounting			

### Output Force

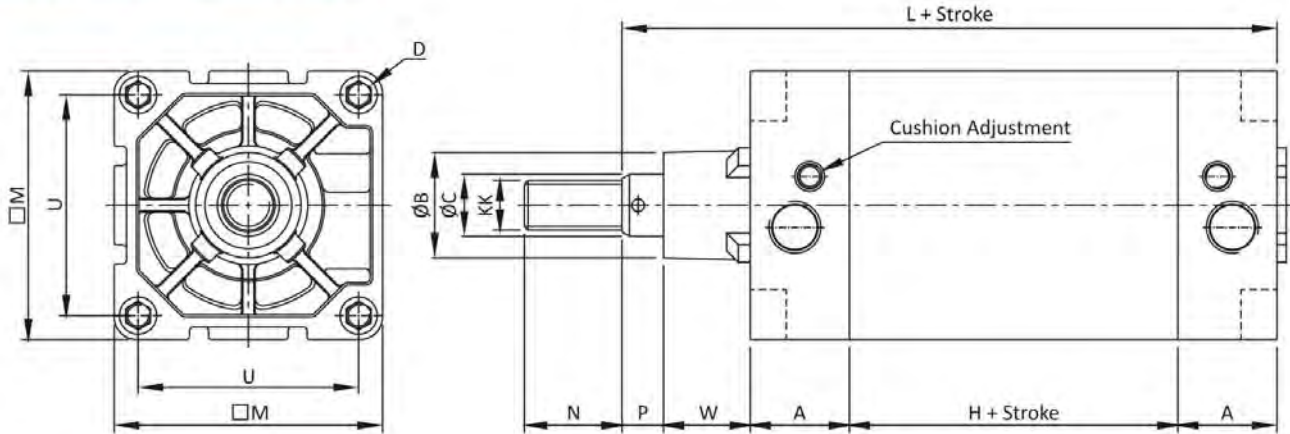
( force in N : 1N = 0.1 kgf )

Bore dia in mm	Rod dia in mm	Action	Working Pressure in Bar								
			2	3	4	5	6	7	8	9	10
32	12	Extend	145	217	289	362	434	507	579	651	724
		Retract	124	187	249	311	373	435	498	559	621
40	16	Extend	226	339	452	565	678	792	905	1018	1130
		Retract	190	285	380	475	570	665	760	855	950
50	20	Extend	353	530	706	884	1060	1237	1414	1590	1767
		Retract	297	445	594	742	891	1039	1187	1336	1484
63	20	Extend	561	842	1122	1403	1683	1964	2244	2525	2805
		Retract	505	757	1009	1261	1514	1766	2018	2270	2523
80	25	Extend	905	1357	1809	2262	2714	3167	3619	4072	4524
		Retract	816	1225	1633	2041	2449	2857	3266	3674	4082
100	25	Extend	1414	2120	2828	3534	4241	4948	5655	6362	7069
		Retract	1325	1988	2650	3313	3976	4640	5300	5965	6625
125	32	Extend	2209	3313	4417	5522	6626	7731	8835	9940	11045
		Retract	2064	3096	4128	5160	6192	7224	8256	9288	10320



## Model : ANC Series : S10

### Basic Cylinder Dimensions For ANC



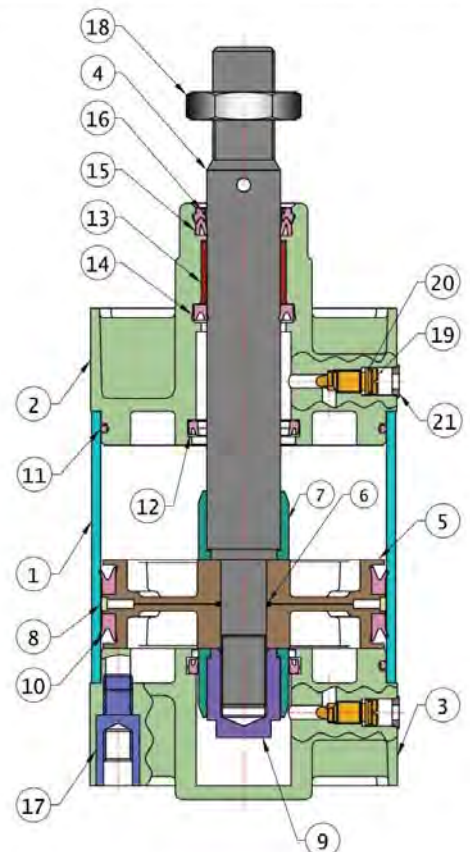
Bore die	KK	H	A	W	P	N	U	M	ØB	ØC	L	D	K*	Part Size
32	M10X1.25P.	43	25.5	18.5	7.5	22	32.5	45	30	12	120	M6	40	G1/8"
40	M12X1.25P.	47	29	20.5	9.5	24	38	51	35	16	135	M6	63	G1/4"
50	M16X1.5P.	48	29	28	9	32	46.5	64	40	20	143	M8	98	G1/4"
63	M16X1.5P.	51	35	27.5	9.5	32	56.5	74	45	20	158	M8	165	G3/8"
80	M20X1.5P.	56	36	34	12	40	72	94	45	25	174	M10	220	G3/8"
100	M20X1.5P.	58	40	35	16	40	89	111	55	25	189	M10	360	G1/2"
125	M27X2P.	70	45	46	19	50	110	134	60	32	225	M12	613	G1/2"

\*K = Psh Force at 5 Kg/cm<sup>2</sup>

Manufacturing Standard : ISO 15552

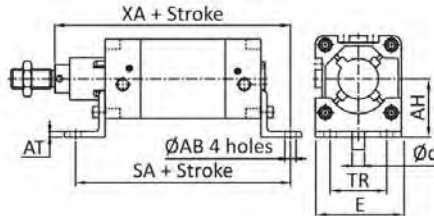
Testing Standard : ISO 10099

No.	Item Name	Material
1	Sq. Pipe	Aluminium Alloy HE9WP (6063-T6) (IS : 733)
2	Top Cover	Aluminium Alloy ALSi 132 (BS 1490)
3	Bottom Cover	Aluminium Alloy ALSi 132 (BS 1490)
4	Piston Rod	BS - 970-90, EN-8, (080M40)
5	Piston	Aluminium Alloy ALSi 132 (BS 1490)
6	O - Ring	Nitrile Buna - N Gr, 80
7	Delrin Collar	Delrin Acetal Copolymer
8	Delrin Ring	Delrin Acetal Copolymer
9	Piston Lock Nut	BS-970-90, EN-8, (080M40)
10	V - Seal For Piston	Hi - Nitrile
11	Diameter Ring	Nitrile Buna - N Gr, 80
12	Cushion Seal	Nitrile Buna - N Gr, 80
13	D. U. Bush	Brass / Gun Metal
14	Shaft V - Seal	Nitrile Buna - N Gr, 80
15	V - Seal (Nut Ring)	Nitrile Buna - N Gr, 80
16	Wiper Ring	P.U. Gr, 96
17	Allen Key	BS-970-90, EN-8, (080M40)
18	Nut For Shaft	BS-970-90, EN-8, (080M40)
19	Cushion Pin	Brass (CuZn39Pb3)
20	O - Ring For Cushion Pin	Nitrile Buna - N Gr, 80
21	Bush For Cushion Pin	Nylon Gr. 66





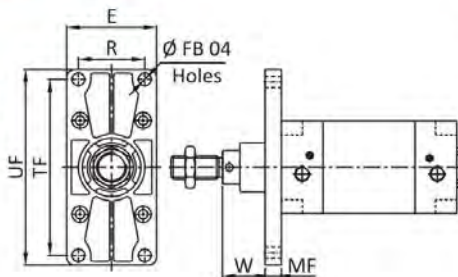
### Foot Mounting (NCML) - L



Bore die	TR $\pm 0.3$	AB H13	AH Js15	AT	E	$\phi d^*$	SA	TOL	XA	Recommended Bolt Size
32	32	6.5	32	3	46	5.8	142	$\pm 1.25$	144	M6
40	36	9	36	4	52	7.8	159		163	M8
50	45	9	45	6	65	7.8	170		175	M8
63	50	9	50	5	80	7.8	197	$\pm 1.6$	190	M8
80	63	12	63	5	95	9.8	210		215	M10
100	75	14	71	7	126	11.8	220		230	M12
125	90	16	90	8	157	---	253		270	M12

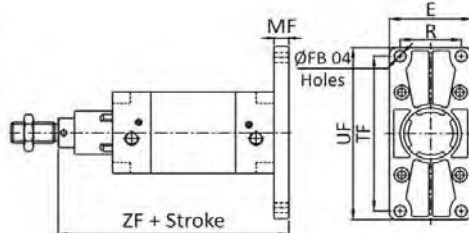
\*Suitable for reaming

### Front Trunnion Mounting (NCMT) - M



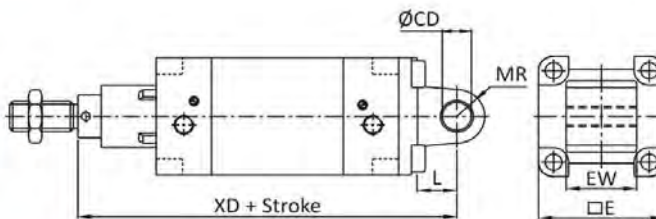
Bore die	TF $\pm 0.3$	R $\pm 0.3$	FB H13	MF	UF	E	W	TOL	Recommended Bolt Size
32	64	32	7	10	80	50	16	$\pm 1.25$	M6
40	72	36	9	10	90	53	20		M8
50	90	45	9	12	110	64	25		M8
63	100	50	9	12	125	80	25	$\pm 1.5$	M8
80	126	63	12	16	155	95	30		M10
100	150	75	14	16	185	120	35		M12
125	180	90	16	20	224	134	45		M12

### Rear Flange Mounting (NCRM) - R



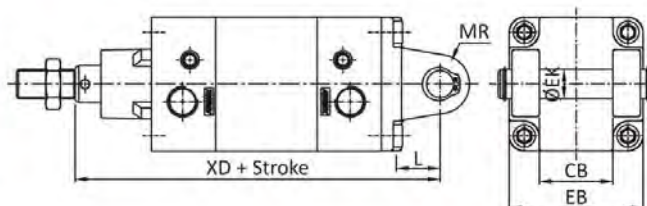
Bore die	TF $\pm 0.3$	R $\pm 0.3$	FB H13	MF	UF	E	ZF	TOL	Recommended Bolt Size
32	64	32	7	10	80	50	130	$\pm 1.25$	M6
40	72	36	9	10	90	53	145		M8
50	90	45	9	12	110	64	155		M8
63	100	50	9	12	125	80	170	$\pm 1.5$	M8
80	126	63	12	16	155	95	190		M10
100	150	75	14	16	185	120	205		M12
125	180	90	16	20	224	134	245		M12

### Male Clevis Mounting (NCMS) - S



Bore die	CD H9	EW $\pm 0.2 / \pm 0.6$	L	MR	E max.	XD	TOL
32	10	26	12	11	45	142	$\pm 1.25$
40	12	25.5	15	13	51	160	
50	12	31.5	15	13	64	170	
63	16	38	20	17	74	190	$\pm 1.5$
80	16	48.5	20	17	94	210	
100	20	59	25	21	111	230	
125	25	70	30	26	135	275	

### Female Clevis Mounting (NCMD) - D

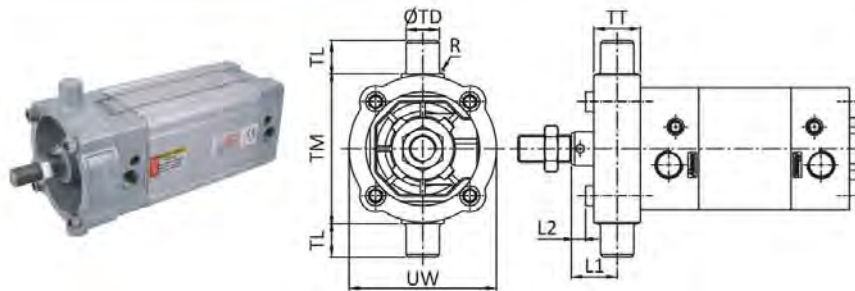


Bore die	EK e8	CB H14	L	MR	EB max.	XD	TOL
32	10	26	12	11	56	142	$\pm 1.25$
40	12	28	15	13	65	160	
50	12	32	15	13	73	170	
63	16	40	20	17	86	190	$\pm 1.5$
80	16	50	20	17	106	210	
100	20	60	25	21	129	230	
125	25	70	30	26	157	275	



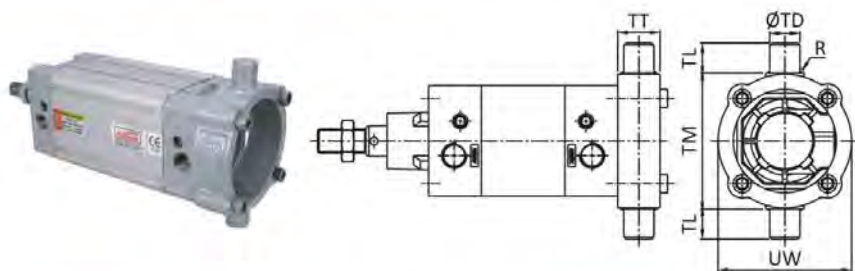
**Model : ANC  
Series : S10**

**Front Trunnion Mounting (NCMT) - M**



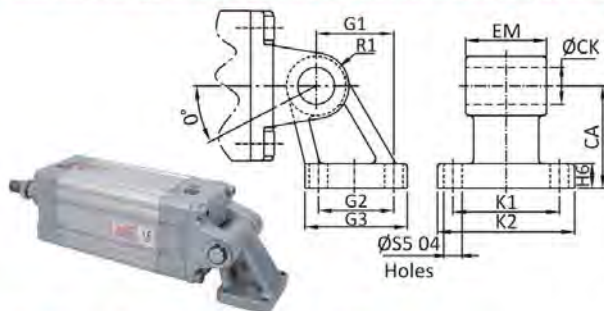
Bore die	ØTD e9	TL h14	TM h14	UW	TT	R	L1	TOL	L2 Appr.
32	12	12	50	50	16	1	18		2
40	16	16	63	55	22	1.5	19	±1.5	0
50	16	16	75	75	24	1.6	25		3
63	20	20	90	86	28	1.6	23		-1
80	20	20	110	110	32	1.6	30	±1.8	1.8
100	25	25	132	135	40	2	31		-1.2
125	25	25	160	131	50	2	40	±2.0	----

**Front Trunnion Mounting (NCMT) - M**



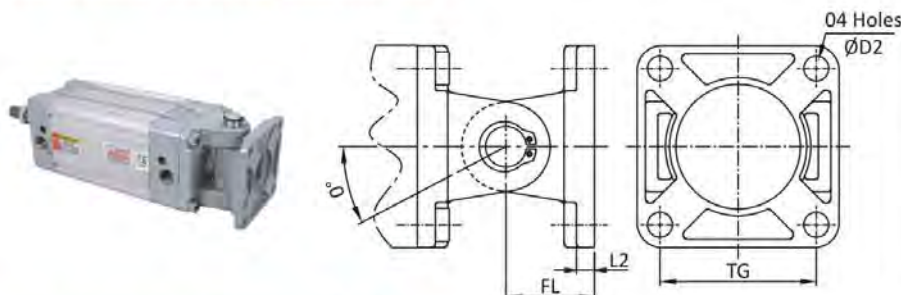
Bore die	TD e9	TL h14	TM h14	UW	TT	R	L3	TOL	L4 Appr.
32	12	12	50	50	16	1	128		16
40	16	16	63	55	22	1.5	146	±1.5	19
50	16	16	75	75	24	1.6	155		22
63	20	20	90	86	28	1.6	172		24
80	20	20	110	110	32	1.6	190	±1.8	29
100	25	25	132	135	40	2	209		33
125	25	25	160	131	50	2	250	±2.0	33

**Swivel Flange Clevis Foot Bracket Mounting (NCAV) - DC**



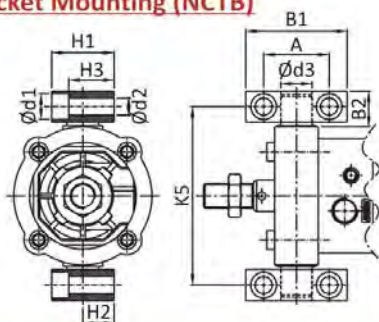
Bore die	K1 Js14	G2 Js14	S5 H13	CA Js15	CK H9	EM 0.2-0.6	G1 Js14	H6	R1 max.	K2	G3	Recommended Bolt Size
32	38	18	6.6	32	10	26	21	8	10	51	31	M6
40	41	22	6.6	36	12	28	24	10	11	54	35	M6
50	50	30	9	45	12	32	33	12	13	65	45	M8
63	52	35	9	50	16	40	37	12	15	67	50	M8
80	66	40	11	63	16	49	47	14	15	86	60	M10
100	76	50	11	71	20	59	55	15	19	96	70	M10
125	94	60	14	90	30	70	70	20	22.5	124	90	M12

**Wall Bracket Mounting (NCAW) - DS**



Bore die	TG	Ø2	L2	FL	Ø²	Recommended Bolt Size
32	32.5	6.6	5.5	22	90	M6
40	38	6.6	5.5	25	90	M6
50	46.5	9	6.5	27	90	M8
63	56.5	9	6.5	32	90	M8
80	72	11	10	36	60	M10
100	89	11	10	41	60	M10
125	110	14	10	50	60	M12

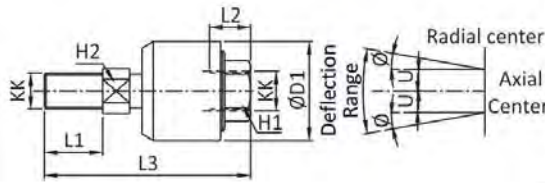
**Trunnion Bracket Mounting (NCTB)**



Bore die	B1	B2	A ±0.2	d1	d2 H13	d3 H9	H1	H2 ±0.2	H3	K5 Js14
32	46	18	32	11	6.6	12	30	15	23	71
40	55	21	36	15	9	16	36	18	27	87
50	55	21	36	15	9	16	36	18	27	99
63	65	23	42	16.5	11	20	40	20	29	116
80	65	23	42	16.5	11	20	40	20	29	136
100	75	28.5	50	20	14	25	50	25	37	164
125	75	28.5	50	20	14	25	50	25	37	192

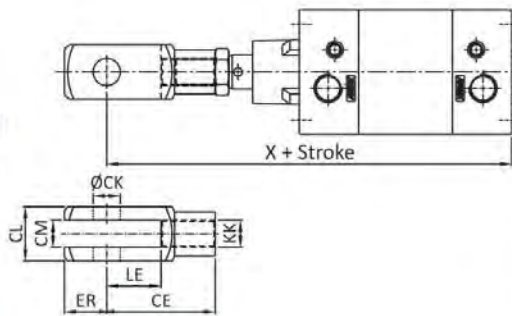


### Rod End Alinger Mounting (NCRA)



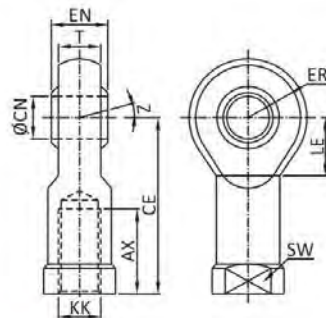
Bore die	KK	L1	L2	L3	H1	H2	ØD1	U	±0°
32	M10X1.25P	20	14	65	17	8	28	0.75	5
40	M12X1.25P	22	18	75	19	10	32	1	5
50 / 63	M16X1.50P	25	22	91	27	13	41	1	5
80 / 100	M20X1.50P	30	28	112	32	16	50	1.5	5
125	M27X2.00P	ON REQUEST							

### Rod End Fork Mounting (NCAF) - A



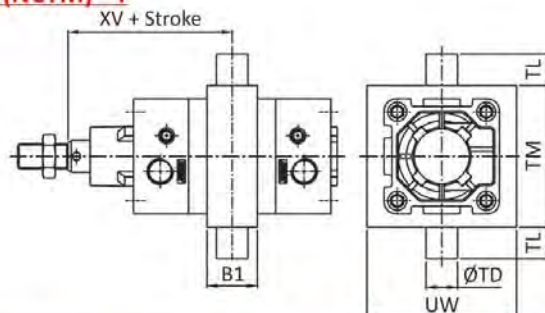
Bore die	KK	CE	CK 18	CM B12	LE	ER max	CL	X
32	M10X1.25P	40	10	10	20	16	20	165
40	M12X1.25P	48	12	12	24	19	25	190
50	M16X1.50P	64	16	16	32	25	33	215
63	M16X1.50P	64	16	16	32	25	33	230
80	M20X1.50P	80	20	20	40	32	38	264
100	M20X1.50P	80	20	20	40	32	38	279
125	M27X2.00P	110	30	30	54	38	55	347

### Rod End Spherical Eye Mounting (NCAP) - G



Bore die	KK	CN H9	T	EN H12	CE	LE min	ER max	AX	SW	±
32	M10X1.25P	10	10.5	14	43	15	14	20	17	13°
40	M12X1.25P	12	12	16	51	17	16	22	19	
50 / 63	M16X1.50P	16	15	21	64	22	21	28	22	15°
80 / 100	M20X1.50P	20	18	25	77	26	25	33	30	
125	M27X2.00P	30	25	37	110	—	35	51	36	

### Center Trunnion Mounting (NCTM) - T



Bore die	B1	TD	UW	TM	TL	R	XV
32	30	12	65	48	12	1	73
40	32	16	75	63	16	2	82.5
50	34	16	95	75	16	2	90
63	41	20	105	90	20	2	98
80	44	20	130	105	20	2	110
100	48	25	145	122	25	2	120
125	50	25	175	160	25	2	145